

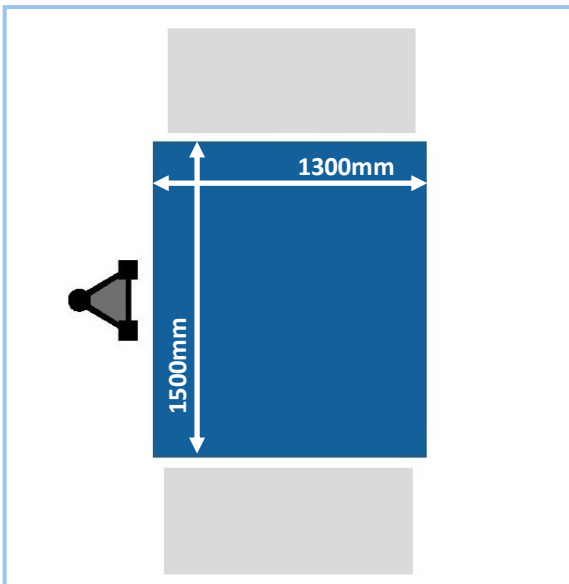
MABER MB500 S

500kg GOODS ONLY HOIST

This is a double wheelbarrow width Goods Hoist capable of transporting a wide range of materials.

Often referred to in the trade as a 'Bricky Hoist', this 500kg capacity Hoist is a popular option for Bricklayers and Stonemasons, as well as roofing contractors and general builders alike.

Supplied with Electrically & Mechanically interlocking Landing Gates, this is a very popular, proven Hoist which can also be configured within lift-shafts by utilising a bespoke landing control system.



Maximum Height	120 m
Lifting Capacity	500 kg
Voltage	415 V
Motor Power	3 kW
Running Current	8 A
Lifting Speed	25 m/min
Platform Dimensions	1500 x 1300 mm
Mast Section Module	1.5 m
Mast Section Weight	33 kg
Base Unit Weight	440 kg

THE PROFESSIONALS' PROFESSIONALS

HEAD OFFICE

UNIT 115
SOUTH LIBERTY LANE
ASHTON VALE
TRADING ESTATE
BRISTOL BS3 2SZ

01179 793 222

avon@hoisthire.co.uk

MIDLANDS OFFICE

UNIT 5
PRIMROSE HILL
TRADING ESTATE
CRADLEY ROAD
NETHERTON
DUDLEY DY2 9SA

01215 460 462

midlands@hoisthire.co.uk

DEVON OFFICE

& ACCOUNTS
MARDLE WAY
BUCKFASTLEIGH
DEVON TQ11 0NR

01364 644 101

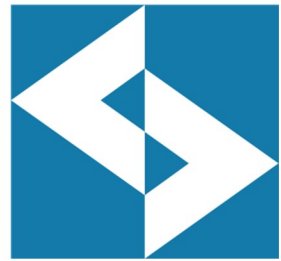
info@hoisthire.co.uk

www.hoisthire.co.uk



VAT No: 643 5951 22

Registered Company
No: 02398442



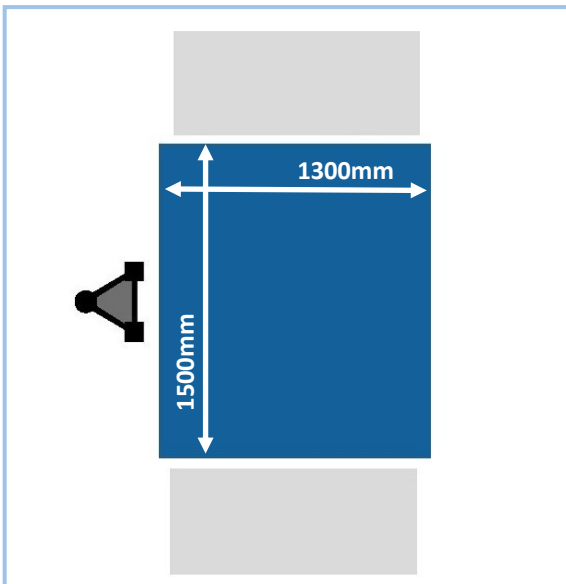
MABER MB500 S1

500kg GOODS ONLY HOIST

This is a double wheelbarrow width Goods Hoist capable of transporting a wide range of materials.

Often referred to in the trade as a 'Bricky Hoist', this 500kg capacity Hoist is a popular option for Bricklayers and Stonemasons, as well as roofing contractors and general builders alike.

Supplied with Electrically & Mechanically interlocking Landing Gates, this is a very popular, proven Hoist which can also be configured within lift-shafts by utilising a bespoke landing control system.



Maximum Height	120 m
Lifting Capacity	500 kg
Voltage	415 V
Motor Power	3 kW
Running Current	8 A
Lifting Speed	20 m/min
Platform Dimensions	1500 x 1300 mm
Mast Section Module	1.5 m
Mast Section Weight	33 kg
Base Unit Weight	520 kg

THE PROFESSIONALS' PROFESSIONALS

HEAD OFFICE

UNIT 115
SOUTH LIBERTY LANE
ASHTON VALE
TRADING ESTATE
BRISTOL BS3 2SZ

01179 793 222

avon@hoisthire.co.uk

MIDLANDS OFFICE

UNIT 5
PRIMROSE HILL
TRADING ESTATE
CRADLEY ROAD
NETHERTON
DUDLEY DY2 9SA

01215 460 462

midlands@hoisthire.co.uk

DEVON OFFICE

& ACCOUNTS
MARDLE WAY
BUCKFASTLEIGH
DEVON TQ11 0NR

01364 644 101

info@hoisthire.co.uk

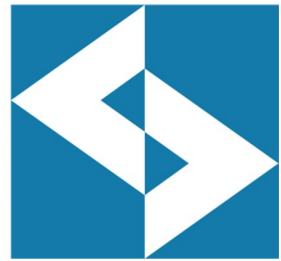
www.hoisthire.co.uk



VAT No: 643 5951 22

Registered Company
No: 02398442





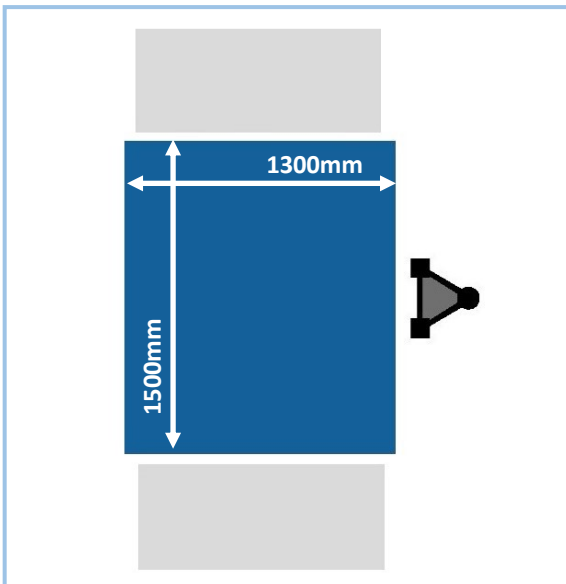
MABER MB500 S1

500kg GOODS ONLY HOIST

This is a double wheelbarrow width Goods Hoist capable of transporting a wide range of materials.

Often referred to in the trade as a 'Bricky Hoist', this 500kg capacity Hoist is a popular option for Bricklayers and Stonemasons, as well as roofing contractors and general builders alike.

Supplied with Electrically & Mechanically interlocking Landing Gates, this is a very popular, proven Hoist which can also be configured within lift-shafts by utilising a bespoke landing control system.



Maximum Height	120 m
Lifting Capacity	500 kg
Voltage	415 V
Motor Power	3 kW
Running Current	8 A
Lifting Speed	20 m/min
Platform Dimensions	1500 x 1300 mm
Mast Section Module	1.5 m
Mast Section Weight	33 kg
Base Unit Weight	520 kg

THE PROFESSIONALS' PROFESSIONALS

HEAD OFFICE

UNIT 115
SOUTH LIBERTY LANE
ASHTON VALE
TRADING ESTATE
BRISTOL BS3 2SZ

01179 793 222

avon@hoisthire.co.uk

MIDLANDS OFFICE

UNIT 5
PRIMROSE HILL
TRADING ESTATE
CRADLEY ROAD
NETHERTON
DUDLEY DY2 9SA

01215 460 462

midlands@hoisthire.co.uk

DEVON OFFICE

& ACCOUNTS
MARDLE WAY
BUCKFASTLEIGH
DEVON TQ11 0NR

01364 644 101

info@hoisthire.co.uk

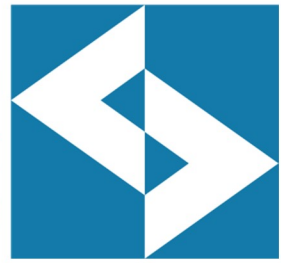
www.hoisthire.co.uk



VAT No: 643 5951 22

Registered Company
No: 02398442





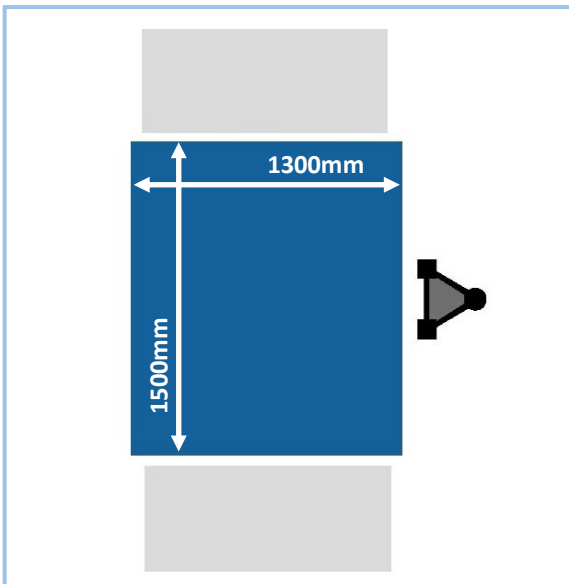
MABER MB500 S

500kg GOODS ONLY HOIST

This is a double wheelbarrow width Goods Hoist capable of transporting a wide range of materials.

Often referred to in the trade as a 'Bricky Hoist', this 500kg capacity Hoist is a popular option for Bricklayers and Stonemasons, as well as roofing contractors and general builders alike.

Supplied with Electrically & Mechanically interlocking Landing Gates, this is a very popular, proven Hoist which can also be configured within lift-shafts by utilising a bespoke landing control system.



Maximum Height	120 m
Lifting Capacity	500 kg
Voltage	415 V
Motor Power	3 kW
Running Current	8 A
Lifting Speed	25 m/min
Platform Dimensions	1500 x 1300 mm
Mast Section Module	1.5 m
Mast Section Weight	33 kg
Base Unit Weight	440 kg

THE PROFESSIONALS' PROFESSIONALS

HEAD OFFICE

UNIT 115
SOUTH LIBERTY LANE
ASHTON VALE
TRADING ESTATE
BRISTOL BS3 2SZ

01179 793 222

avon@hoisthire.co.uk

MIDLANDS OFFICE

UNIT 5
PRIMROSE HILL
TRADING ESTATE
CRADLEY ROAD
NETHERTON
DUDLEY DY2 9SA

01215 460 462

midlands@hoisthire.co.uk

DEVON OFFICE

& ACCOUNTS
MARDLE WAY
BUCKFASTLEIGH
DEVON TQ11 0NR

01364 644 101

info@hoisthire.co.uk

www.hoisthire.co.uk



VAT No: 643 5951 22

Registered Company
No: 02398442